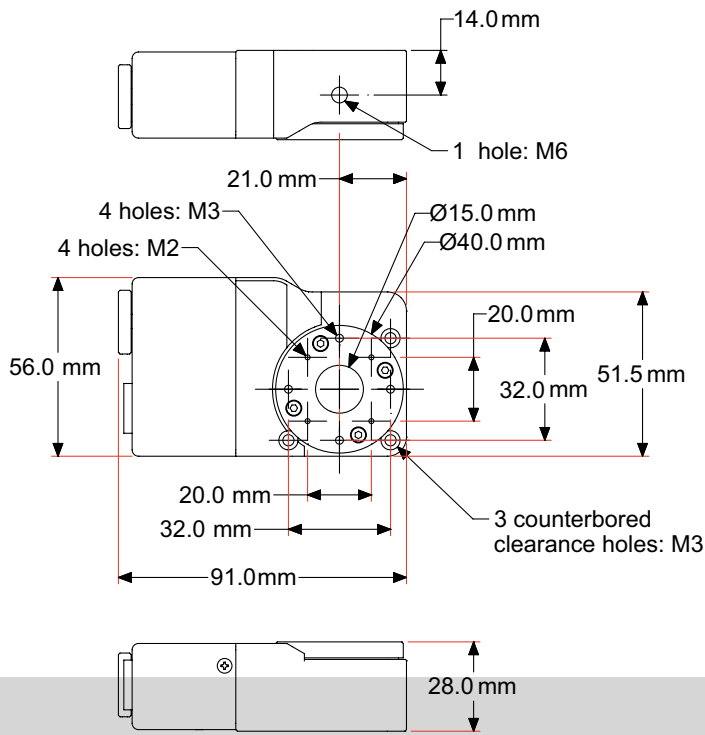


## Rotation Stages

- Five-phase stepper motor
- 360 degree continuous motion
- Positional repeatability to  $\leq 0.02$  degrees
- Low, compact profile
- Dual axis for independent rotation around a common axis.
- Adapters available to hold a variety of optical components.



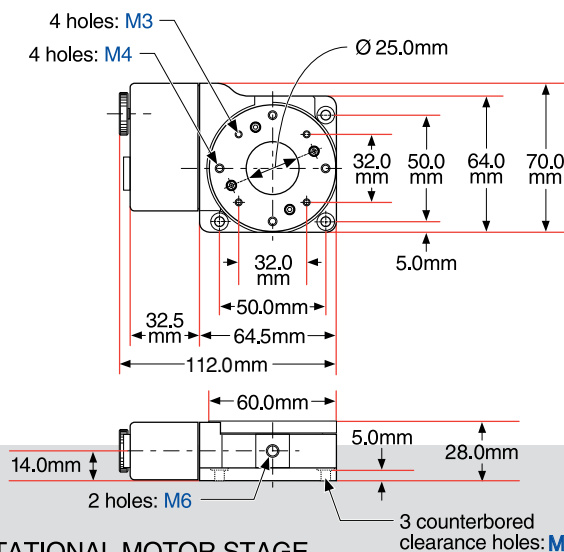
- Piezo Stages
- Linear Stages
- Rotation Stages
- ZF Stages
- Motorized Optics Holders
- Goniometers
- GS Closed Loop Stages
- Controllers & Drivers
- Cables & Accessories
- Software



SGSP-40 YAW ROTATIONAL MOTOR STAGE

## Specifications & Tolerances

Dimensions:  
 $\pm 0.2$ mm  
 Max travel speed:  
 30 degrees/sec  
 Positional Repeatability:  
 $\leq 0.02$  degrees  
 Position accuracy:  
 $\leq 0.06$  degrees  
 Backlash:  
 $\leq 0.05$  degrees  
 Wobble:  
 $\leq 0.02$ mm



SGSP-60 YAW ROTATIONAL MOTOR STAGE

ORDERING  
 &  
 TECHNICAL SUPPORT  
 (949) 851-5881  
 FAX (949) 851-5058  
 E-MAIL  
[sales@optosigma.com](mailto:sales@optosigma.com)  
 WEB  
[www.optosigma.com](http://www.optosigma.com)



## MOTOR STAGES

Piezo Stages

Linear Stages

**Rotation Stages**

ZF Stages

Motorized Optics Holders

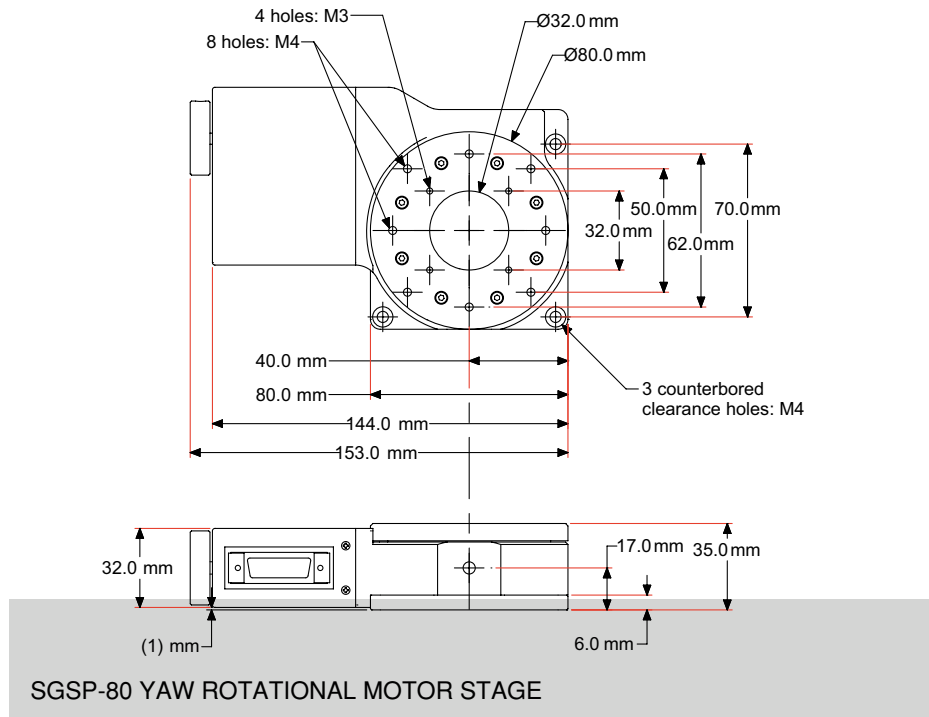
Goniometers

GS Closed Loop Stages

Controllers & Drivers

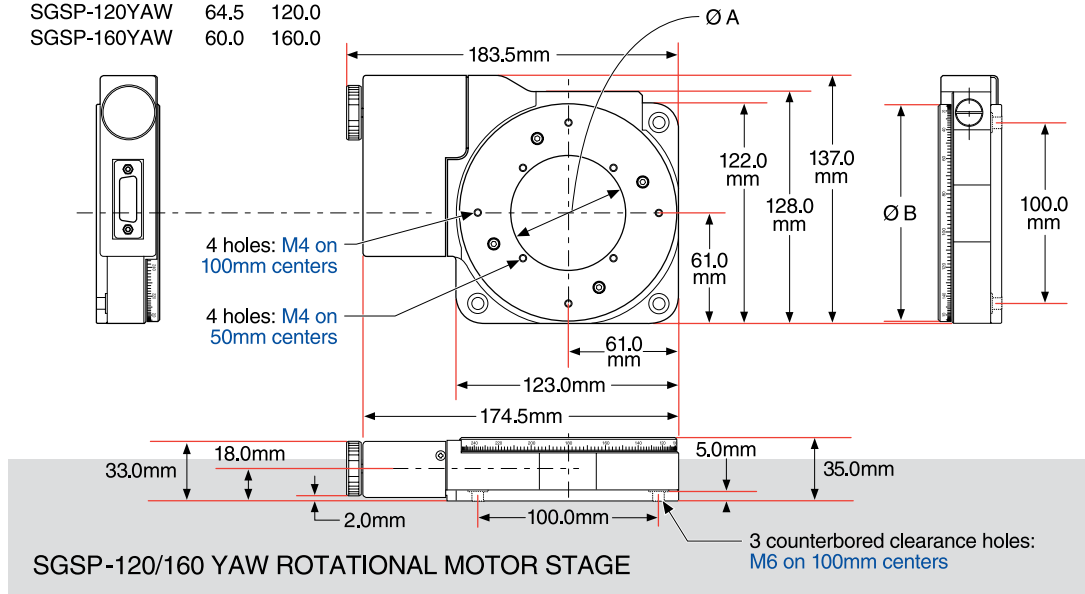
Cables & Accessories

Software



Part No. — Dimensions (mm) —

	A	B
SGSP-120YAW	64.5	120.0
SGSP-160YAW	60.0	160.0



## Rotation Stages

Table Size	Axis	Load Capacity	Weight (kg)	Price	Model	PART NUMBER
40mm	1	2kg	0.35		SGSP-40YAW(Øz)	513-4010
60mm	1	3kg	0.45		SGSP-60YAW(Øz)	513-6010
60mm	2	3kg	1.00		SGSP-60YAW(Øz)-AØ	513-6010-2
80mm	1	10kg	1.10		SGSP-80YAW(Øz)	513-8010
120mm	1	20kg	2.00		SGSP-120YAW(Øz)	513-1210
120mm	2	20kg	5.50		SGSP-120YAW(Øz)-AØ	513-1210-2
160mm	1	20kg	2.50		SGSP-160YAW(Øz)	513-1610