

- Steel Extended Contact Bearing Stages
- Stainless Steel Extended Contact Bearing Stages
- Aluminum Stages
- Rotation Stages
- Goniometers
- Rack & Pinion Dovetail Stages
- Preset Dovetail Stages
- Leadscrew Slides
- Tilt Platforms
- OEM Slides
- Accessories

Angle Brackets and Adapter Plates



Right-angle brackets are useful for bolting two stages together. These brackets are manufactured from cast aluminum or brass and precision machined to ensure the orthogonal alignment of stages or other items bolted to their mounting faces.

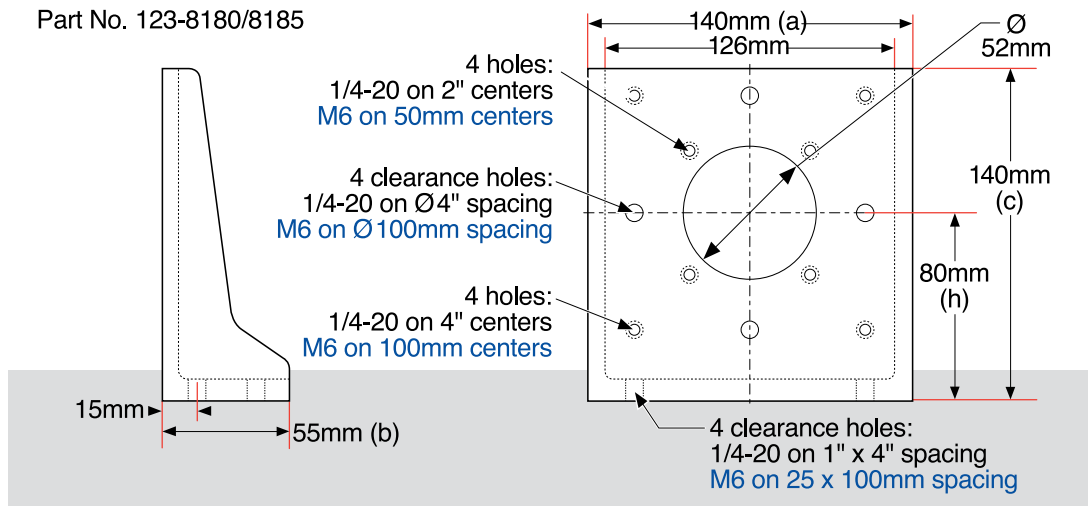
Specifications & Tolerances

Dimensions: $\pm 0.2\text{mm}$
 Material: Aluminum
 Finish: Black anodized

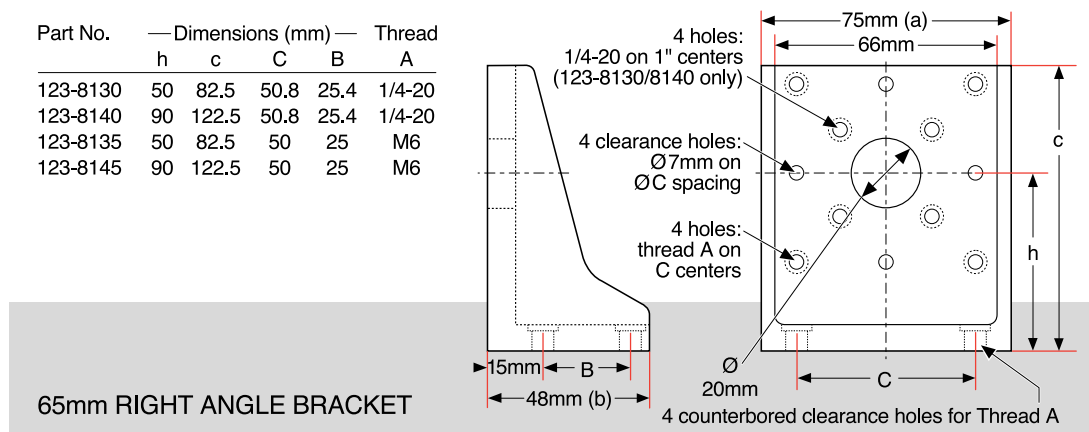
Right angle brackets are extremely useful for bolting multiple stages together.

Adapter plates allow smaller stages to be mounted to larger stages.

Part No. 123-8180/8185



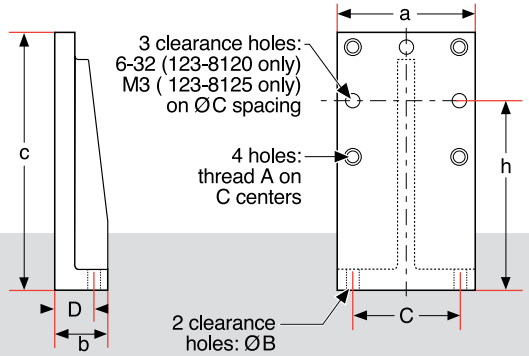
Part No.	—Dimensions (mm)—				Thread
	h	c	C	B	
123-8130	50	82.5	50.8	25.4	1/4-20
123-8140	90	122.5	50.8	25.4	1/4-20
123-8135	50	82.5	50	25	M6
123-8145	90	122.5	50	25	M6



ORDERING
&
TECHNICAL SUPPORT
(949) 851-5881
FAX (949) 851-5058
E-MAIL
sales@optosigma.com
WEB
www.optosigma.com

65mm RIGHT ANGLE BRACKET

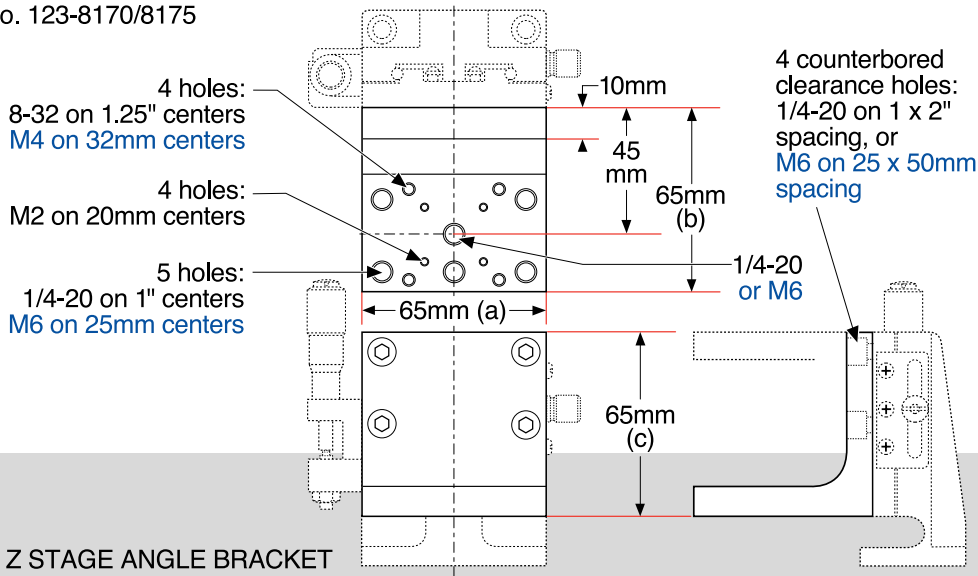
Part No.	Dimensions (mm)						
	A	B	c	a	C	b	D
123-8115	M2	2.5	42.5	25	20	12	11
123-8125	M3	3.5	75	40	32	15	11
123-8120	6-32	4.0	75	40	31.75	15	11
123-8190	M6	7	82.5	65	50	22.5	15
123-8195	1/4-20	7	82.5	65	50	22.5	15



25mm & 40mm RIGHT ANGLE BRACKETS

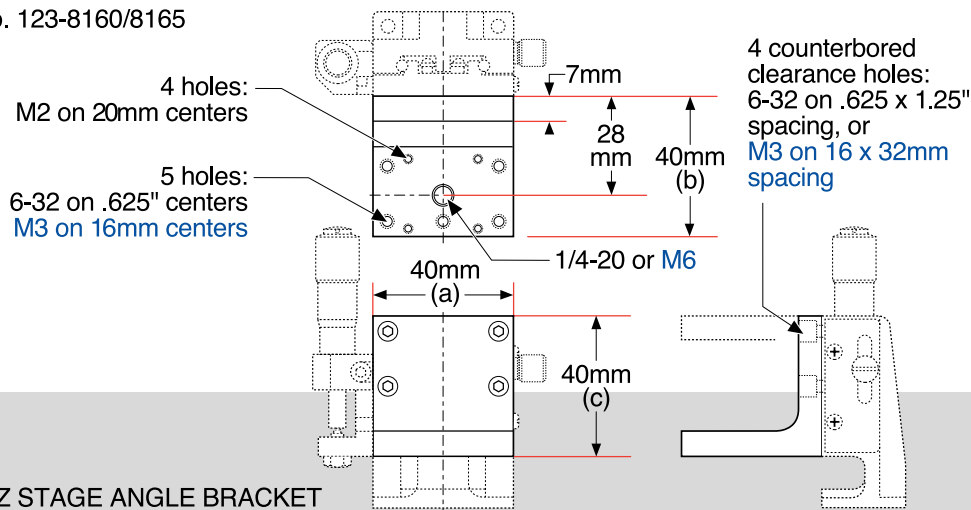
- Steel Extended Contact Bearing Stages
- Steel Extended Contact Bearing Stages
- Aluminum Stages
- Rotation Stages
- Goniometers
- Rack & Pinion Dovetail Stages
- Preset Dovetail Stages
- Leadscrew Slides
- Tilt Platforms
- OEM Slides
- Accessories

Part No. 123-8170/8175



65mm Z STAGE ANGLE BRACKET

Part No. 123-8160/8165

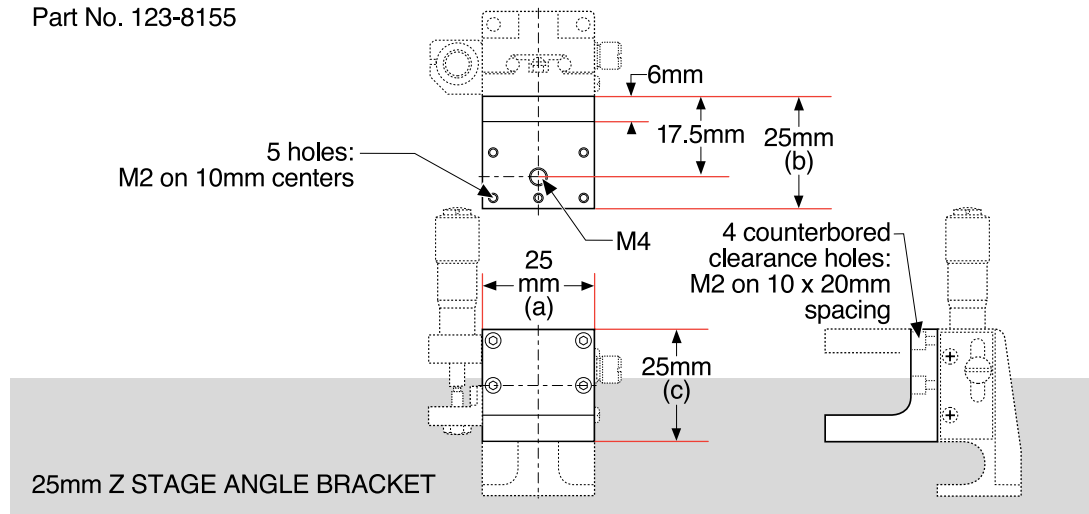


40mm Z STAGE ANGLE BRACKET

ORDERING
&
TECHNICAL SUPPORT
(949) 851-5881
FAX (949) 851-5058
E-MAIL
sales@optosigma.com
WEB
www.optosigma.com

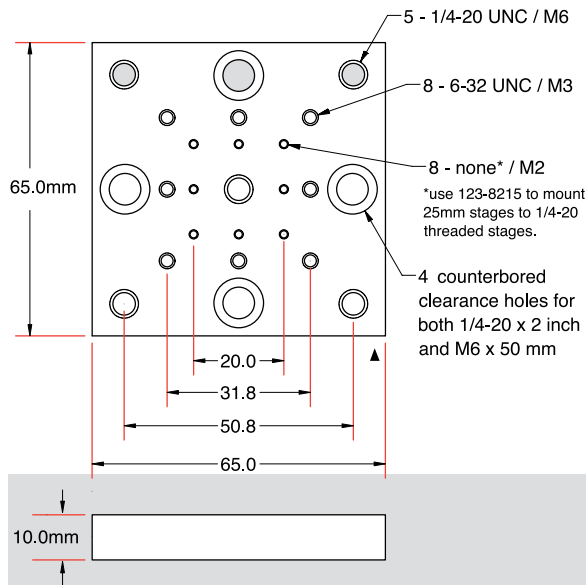
- Steel Extended Contact Bearing Stages
- Stainless Steel Extended Contact Bearing Stages
- Aluminum Stages
- Rotation Stages
- Goniometers
- Rack & Pinion Dovetail Stages
- Preset Dovetail Stages
- Leadscrew Slides
- Tilt Platforms
- OEM Slides
- Accessories

Part No. 123-8155



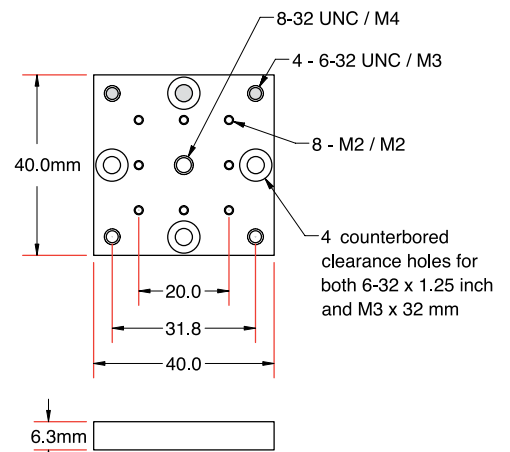
25mm Z STAGE ANGLE BRACKET

Part Nos. 123-8210/123-8215



65mm ADAPTER PLATE

Part Nos. 123-8220/123-8225



40mm ADAPTER PLATE

Aluminum Brackets

	For Use with Stage Side, a (mm)	Dimensions, a x b x c (mm)	Price	INCH	METRIC
				PART NUMBER	PART NUMBER
Right Angle Bracket	120	140 x 55 x 140		123-8180	123-8185
Right Angle Bracket	65	75 x 48 x 122.5		123-8140	123-8145
Right Angle Bracket	65	65 x 22.5 x 82.5		123-8190	123-8195
Right Angle Bracket	65	65 x 47.5 x 80.7		148-3450	148-3455
Right Angle Bracket	65	75 x 48 x 82.5		123-8130	123-8135
Right Angle Bracket	40	40 x 15 x 75.0		123-8120	123-8125
Right Angle Bracket	25	25 x 12 x 42.5		—	123-8115
Z-Stage Angle Bracket	65	65 x 65 x 65		123-8170	123-8175
Z-Stage Angle Bracket	40	40 x 40 x 40		123-8160	123-8165
Z-Stage Angle Bracket	25	25 x 25 x 25		—	123-8155
65 mm Adapter Plate	—	65 x 65 x 10		123-8210	123-8215
40 mm Adapter Plate	—	40 x 40 x 6.25		123-8220	123-8225

ORDERING
&
TECHNICAL SUPPORT
(949) 851-5881
FAX (949) 851-5058
E-MAIL
sales@optosigma.com
WEB
www.optosigma.com

