

Goniometers

- Rotate about a point in space without obscuring the beam
- One or two axes of rotation about the same point
- Compact square shape
- Three sizes compatible with linear and rotation stages
- Inch and metric mounting holes
- Lockable



Goniometers are used to rotate an object or sample about a point in space. The center of rotation is located over the center of the table and is not obscured by the stage itself. In this way it is possible to have a clear and unimpeded access to the point of rotation. Goniometers are offered with different centers of rotation and can be stacked so that two orthogonal axes rotate about the same coincident point.

These goniometers are square in shape making them compact and convenient to use either alone or in conjunction with other stages. The mechanism uses a leadscrew driven, precision dovetail slide. A Vernier scale is marked on the edge of the goniometers to indicate the angle from horizontal. The drive may be controlled by hand or by means of an Allen key.

Goniometers have been commonly used for the orientation of samples in x-ray crystallography. They have many other uses in optics because they do not interfere with an object placed at the point of rotation.

Price and availability are just a keystroke away. Call us if you need a positioning stage quickly, chances are we'll have it in stock. Our goal is your satisfaction so that we can continue to work for you over the many years to come.



ORDERING
&
TECHNICAL SUPPORT
(949) 851-5881
FAX (949) 851-5058
E-MAIL
sales@optosigma.com
WEB
www.optosigma.com

 **OptoSigma®**

MANUAL POSITIONERS

Steel Extended
Contact Bearing Stages

Stainless Steel Extended
Contact Bearing Stages

Aluminum Stages

Rotation Stages

Goniometers

Rack & Pinion
Dovetail Stages

Preset Dovetail Stages

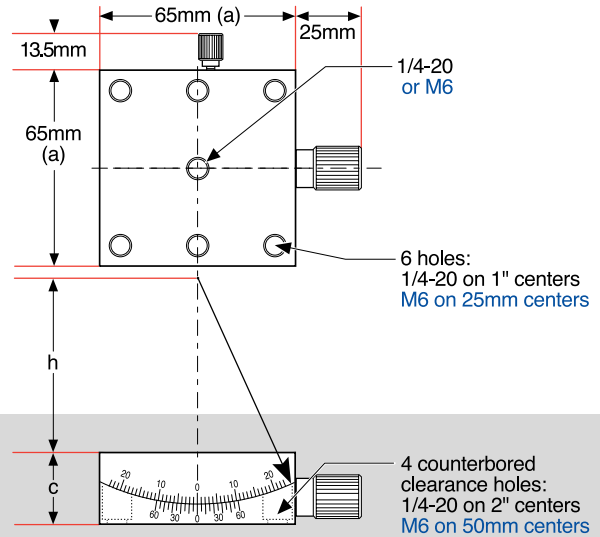
Leadscrew Slides

Tilt Platforms

OEM Slides

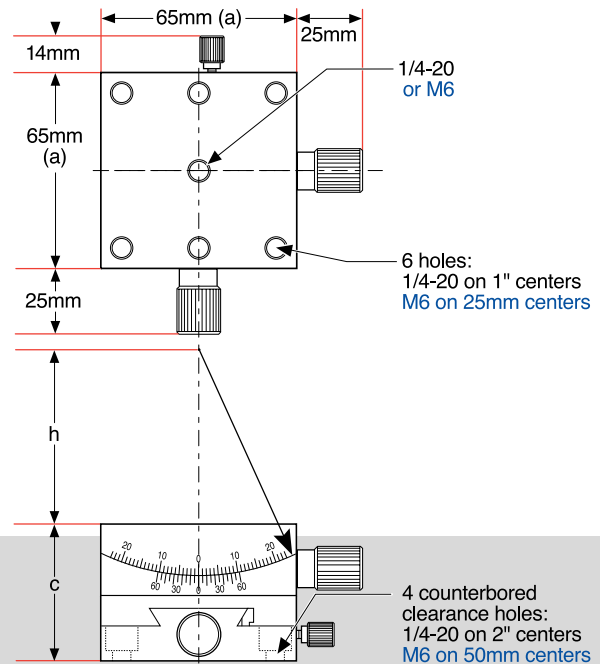
Accessories

Part No.	Dimensions (mm)	
	c	h
123-2830/2835	26	50
123-2820/2825	24	76
123-2840/2845	24	100

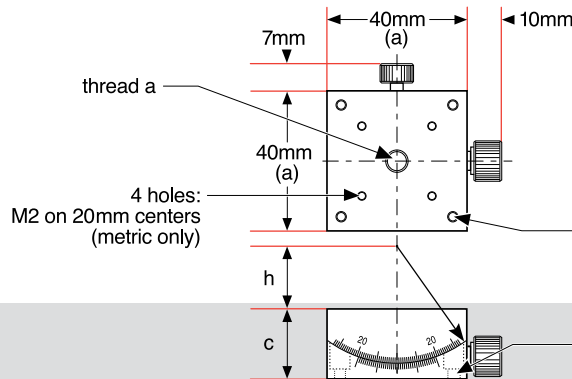


65mm GONIOMETER 1 AXIS

Part No.	Dimensions (mm)	
	c	h
123-2860/2865	50	50
123-2890/2895	48	76



65mm GONIOMETER 2 AXIS



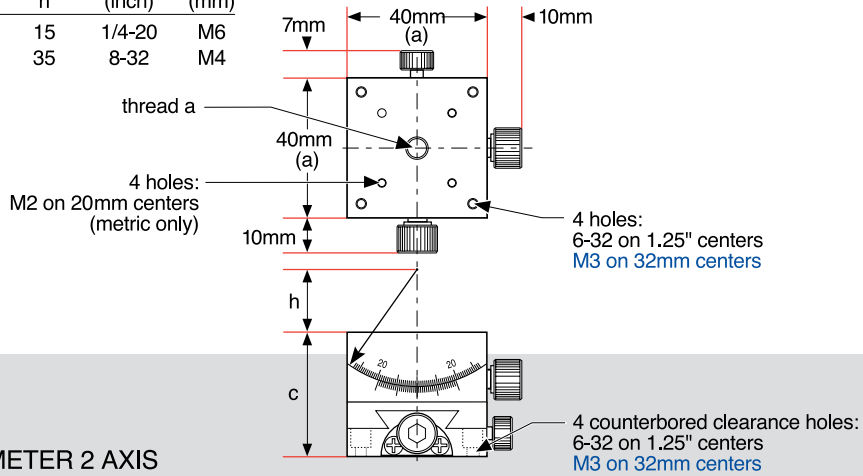
Part No.	Dimensions (mm)		Thread a	
	c	h	(inch)	(mm)
123-2710/2715	20	15	1/4-20	M6
123-2720/2725	16	35	8-32	M4
123-2730/2735	15	51	8-32	M4

40mm GONIOMETER 1 AXIS

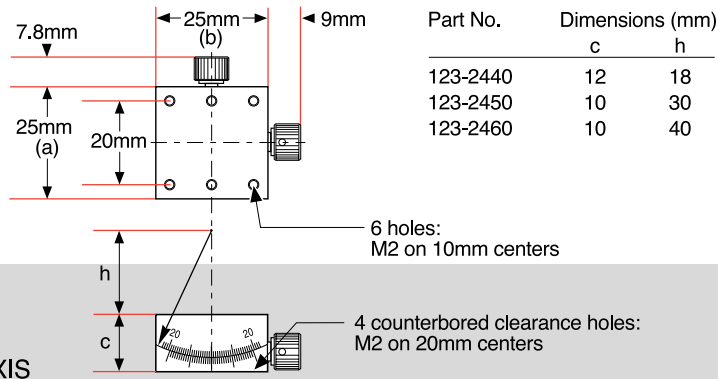
ORDERING
&
TECHNICAL SUPPORT
(949) 851-5881
FAX (949) 851-5058
E-MAIL
sales@optosigma.com
WEB
www.optosigma.com



Part No.	Dimensions (mm)		Thread a	
	c	h	(inch)	(mm)
123-2740/2745	36	15	1/4-20	M6
123-2750/2755	31	35	8-32	M4

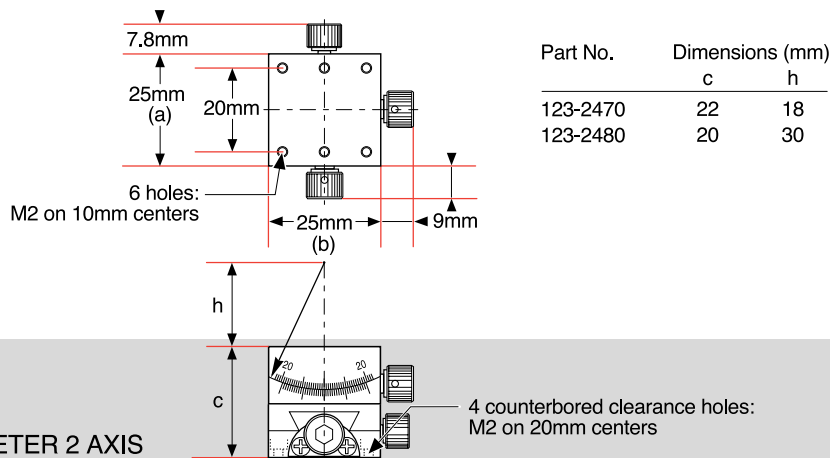


40mm GONIOMETER 2 AXIS



Part No.	Dimensions (mm)	
	c	h
123-2440	12	18
123-2450	10	30
123-2460	10	40

25mm GONIOMETER 1 AXIS



Part No.	Dimensions (mm)	
	c	h
123-2470	22	18
123-2480	20	30

25mm GONIOMETER 2 AXIS

- Steel Extended Contact Bearing Stages
- Steel Extended Contact Bearing Stages
- Aluminum Stages
- Rotation Stages
- Goniometers**
- Rack & Pinion Dovetail Stages
- Preset Dovetail Stages
- Leadscrew Slides
- Tilt Platforms
- OEM Slides
- Accessories

ORDERING
&
TECHNICAL SUPPORT
(949) 851-5881
FAX (949) 851-5058
E-MAIL
sales@optosigma.com
WEB
www.optosigma.com



- Steel Extended Contact Bearing Stages
- Stainless Steel Extended Contact Bearing Stages
- Aluminum Stages
- Rotation Stages

Goniometers

- Rack & Pinion Dovetail Stages
- Preset Dovetail Stages
- Leadscrew Slides
- Tilt Platforms
- OEM Slides
- Accessories

Specifications & Tolerances

Dimensions: $\pm 0.2\text{mm}$
 Material: Brass
 Finish: Black chrome

Goniometers

							INCH	METRIC
Side, a (mm)	Height, c (mm)	Travel (deg)	Center Height, h (mm)	Load Capacity (kg)	Resolution (arcmin)	Price	PART NUMBER	PART NUMBER
65	26	40	50	5	5		123-2830	123-2835
65	24	30	76	5	5		123-2820	123-2825
65	24	20	100	5	5		123-2840	123-2845
65	50	40 x 30*	50	5	5		123-2860	123-2865
65	48	30 x 20*	76	5	5		123-2890	123-2895
40	20	40	15	3.5	6		123-2710	123-2715
40	16	40	35	3.5	6		123-2720	123-2725
40	15	30	51	3.5	6		123-2730	123-2735
40	36	40 x 40*	15	3.5	6		123-2740	123-2745
40	31	40 x 30*	35	3.5	6		123-2750	123-2755
25	12	40	18	1	12		—	123-2440
25	10	30	30	1	12		—	123-2450
25	10	20	40	1	12		—	123-2460
25	22	40 x 30*	18	1	12		—	123-2470
25	20	30 x 20*	30	1	12		—	123-2480

Center height is measured from the top of the goniometer.
 * Dual Axis



Becoming your OEM supplier means winning your trust, both in our products and in our people. We like to build relationships with our customers by visiting with you in person to better understand all of your production requirements.

ORDERING
 &
 TECHNICAL SUPPORT
 (949) 851-5881
 FAX (949) 851-5058
 E-MAIL
sales@optosigma.com
 WEB
www.optosigma.com

For all opto-mechanical products we can provide detailed CAD drawings by Fax or E-mail on request.