

Posts and Post Holders

- Improved traditional post mounting
- Precision ground stainless steel posts
- Half inch diameter posts are compatible with existing systems
- Versatile mounting methods

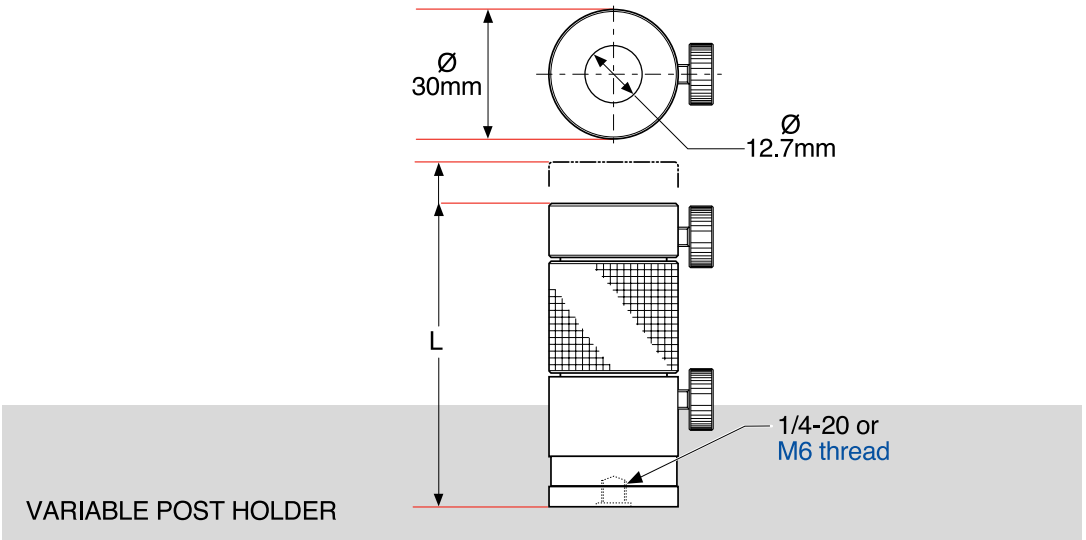
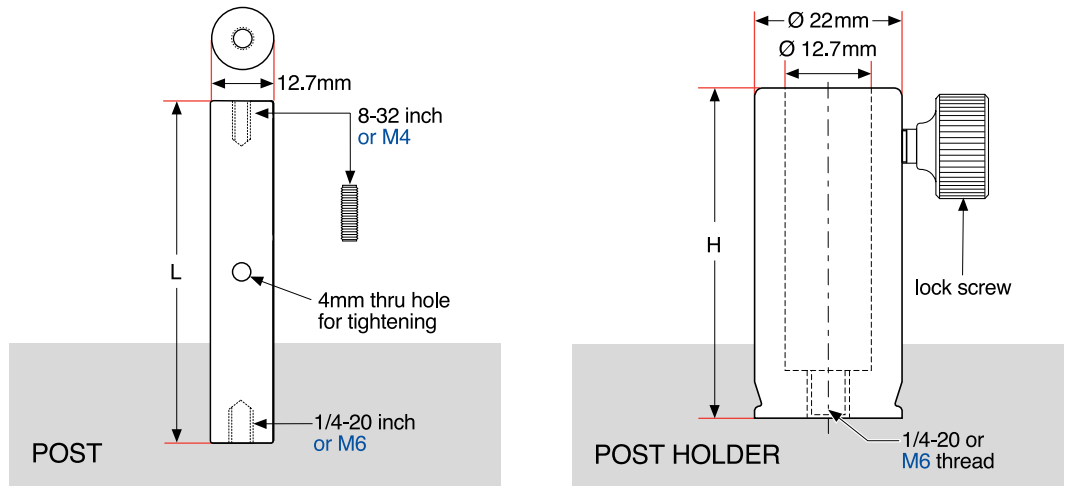


For smaller diameter 6mm Posts and Post Holders, please turn to page 342 in the Mini-System section.

Posts provide a simple means for mounting optical components. These posts are 1/2 inch in diameter and incorporate precision machined features which make them more convenient to use. Half inch diameter stainless steel posts are machined with a 1/4-20 or M6 female thread on one end and an 8-32 or M4 female thread on the other. They may be stud mounted to a wide variety of component holders. A 4mm clearance hole through the middle of the post provides for the use of a torque bar for tightening. Post collars are offered separately to hold the posts at a preset height. Post holders are made from aluminum and are equipped with a spring loaded clamp screw to hold the post in position. The base of the post holders is fitted with a 1/4-20 or M6 female thread for attachment to a variety of bases. An adjustable height post holder provides 10mm of vertical adjustment which is actuated by the rotation of a knurled ring.

Specifications & Tolerances

Dimensions:
 ±0.2mm
 Finish:
 Posts, ground
 Post holders, Black anodized
 Material:
 Posts, Stainless steel
 Post holders, Aluminum



ORDERING
 &
 TECHNICAL SUPPORT
 (949) 851-5881
 FAX (949) 851-5058
 E-MAIL
 sales@optosigma.com
 WEB
 www.optosigma.com



Posts and Post Holders

INCH

METRIC

Item	Length, L		Price	PART NUMBER	PART NUMBER
	(inches)	(mm)			
Post	1.0	25.4		148-0210	148-0215
Post	1.5	38.1		148-0220	148-0225
Post	2.0	50.8		148-0230	148-0235
Post	3.0	76.2		148-0240	148-0245
Post	4.0	101.6		148-0250	148-0255
Post	6.0	152.4		148-0260	148-0265
Post	8.0	203.2		148-0270	148-0275
Post	12.0	304.8		148-0280	148-0285
Collar	0.3	8.0		148-1000	148-1000
Post Holder	1.0	25.4		148-1310	148-1315
Post Holder	2.0	50.8		148-1320	148-1325
Post Holder	3.0	76.2		148-1330	148-1335
Post Holder	4.0	101.6		148-1340	148-1345
Post Holder	6.0	152.4		148-1350	148-1355
Variable Post Holder	2.8-3.1	70.0-80.0		148-1660	148-1665

Mirror Mounts

Optic Holders

Optical Baseplates

Optical Rails and Carriers

Bases

Rod Mounting Systems

Post, Post Holders, Clamps