

## Optical Rails and Carriers

- Low profile and square aluminum rails
- Two standard widths
- Range of carriers offered
- Compatible with most mounting systems



For even smaller Rails and Carriers, please turn to page 282 in the Mini-System section.

When it is required to provide linear adjustment of the spacing of optical components over a wide range, the best way is to use a rail. The rails we offer have an extremely low profile so they do not cause excessive height build up. These rails are in the form of a dovetail. They are used with mating carriers which may be inserted at various points along the rail without interfering with adjacent carriers. Two widths of rail are offered, 50mm and 100mm. A series of slots along the centerline of the rail facilitates attachment to an optical table or breadboard. Both inch and metric hole spacings can be accommodated by the slots.

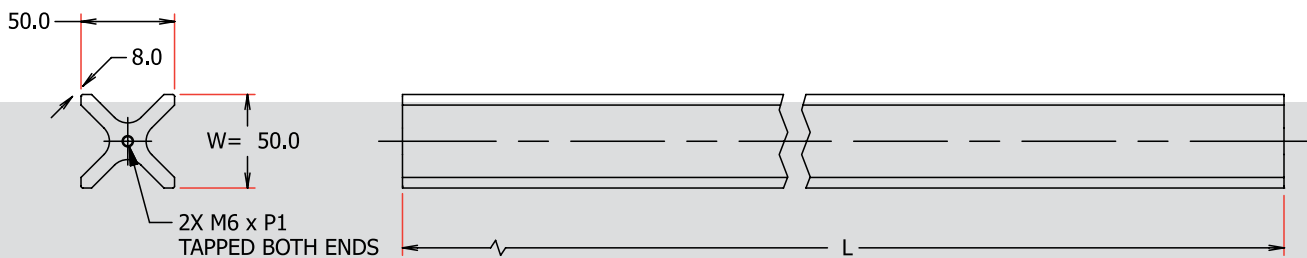
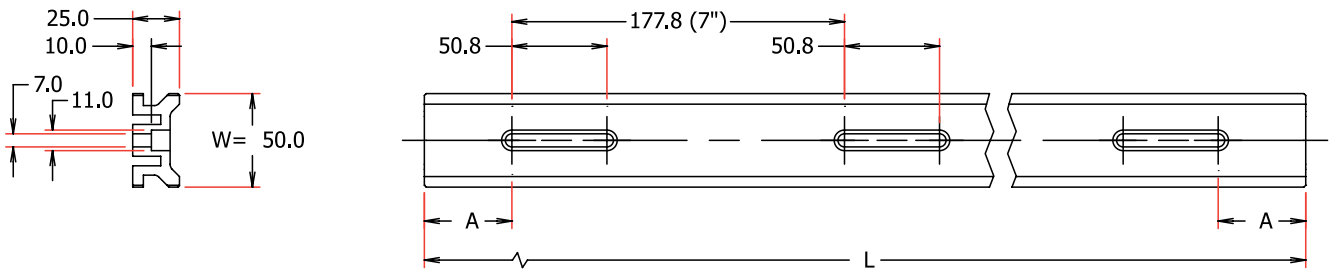
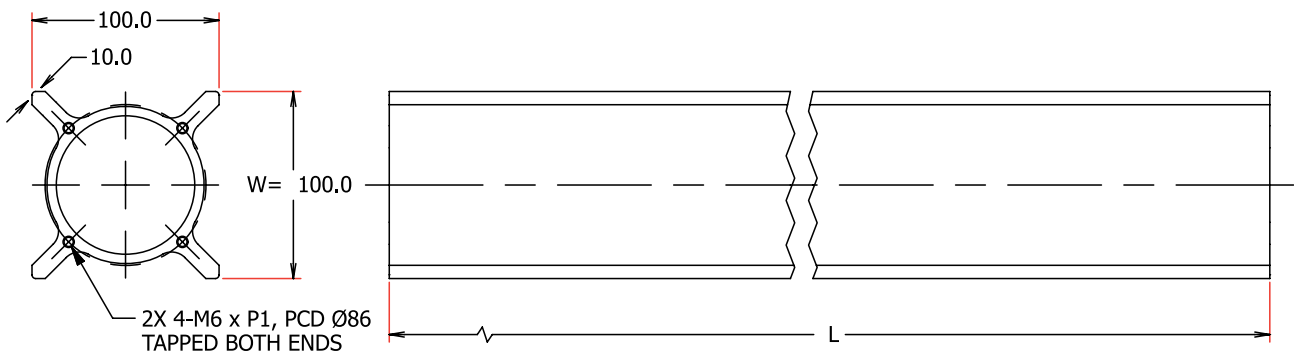
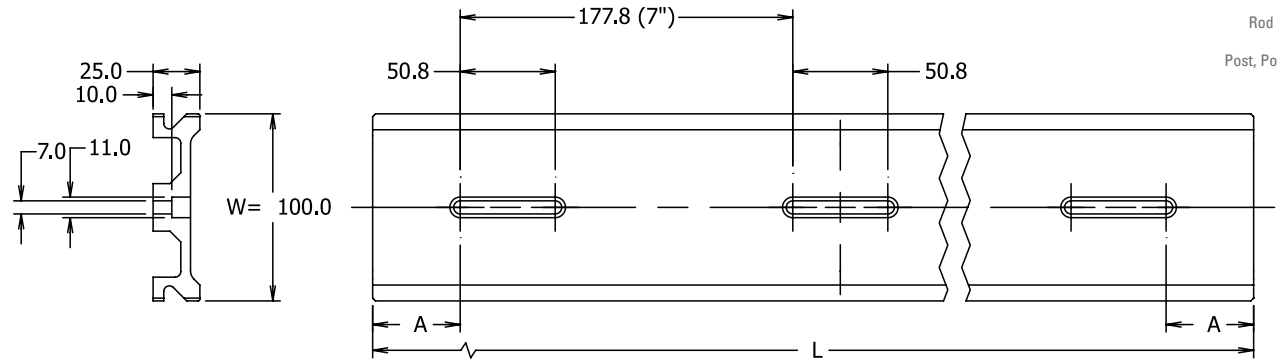
Alternatively the rails may be clamped using ledges along the sides. Each size of rail has its own series of carriers. These are attached by releasing the clamp screw and hooking the lip over the dovetail section on the rail. The clamp may then be loosely tightened to permit sliding or fully tightened to lock the carrier in place. On the upper surface of the carriers is a standard inch or metric mounting hole pattern which may be used to attach stages, post holders or other mounting devices. The surface is parallel to the base when in use.

### Specifications & Tolerances

Width and height:  $\pm 0.2\text{mm}$  (0.01")  
 Length:  $\pm 0.5\text{mm}$  (0.02")  
 Straightness:  $\pm 0.01\text{ mm/m}$

Material: Aluminum  
 Finish: Black anodized

ORDERING  
&  
TECHNICAL SUPPORT  
(949) 851-5881  
FAX (949) 851-5058  
E-MAIL  
sales@optosigma.com  
WEB  
www.optosigma.com



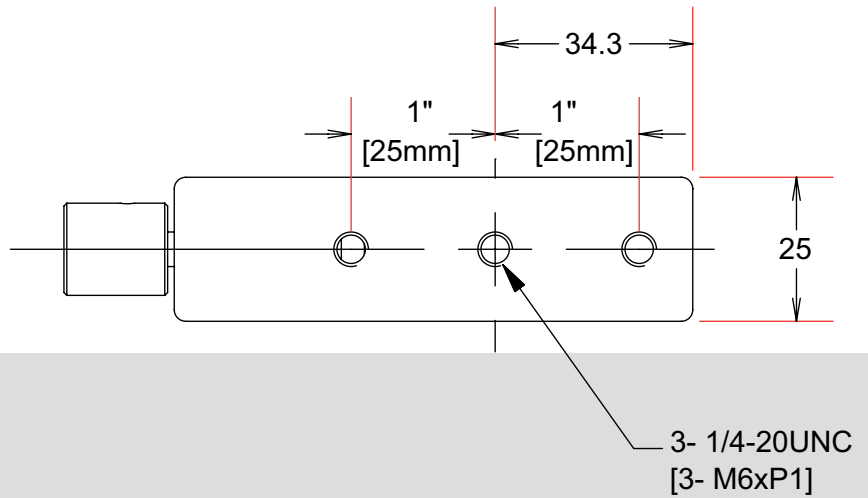
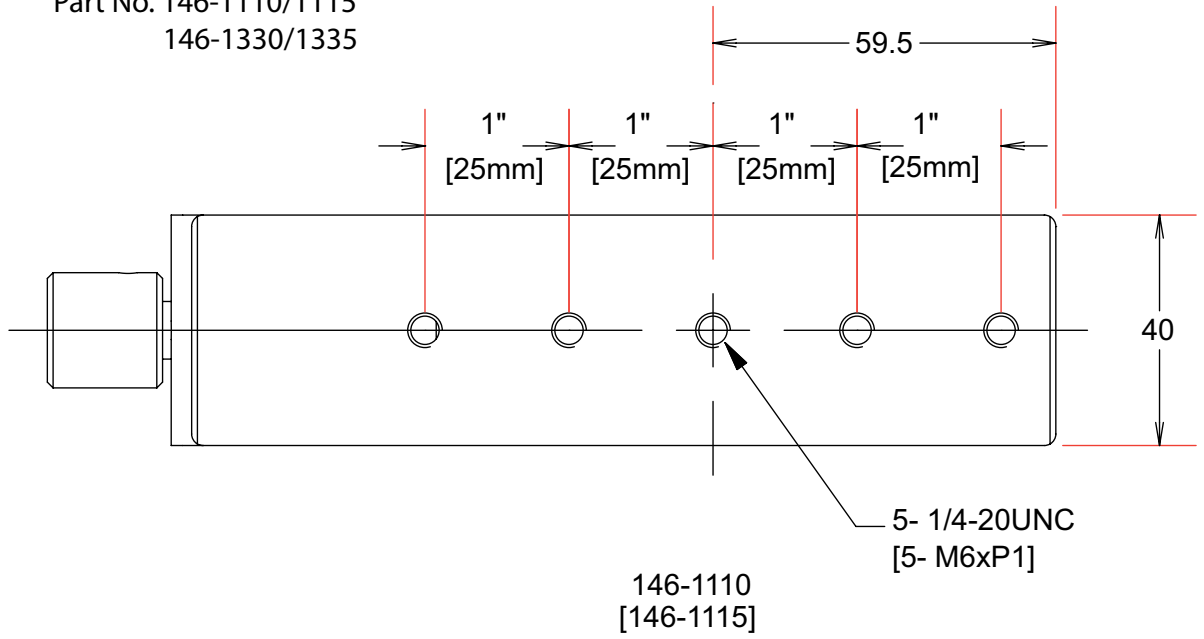
OPTICAL RAILS LOW PROFILE AND SQUARE

- Mirror Mounts
- Optic Holders
- Optical Baseplates

Optical Rails and Carriers

- Bases
- Rod Mounting Systems
- Post, Post Holders, Clamps

Part No. 146-1110/1115  
146-1330/1335



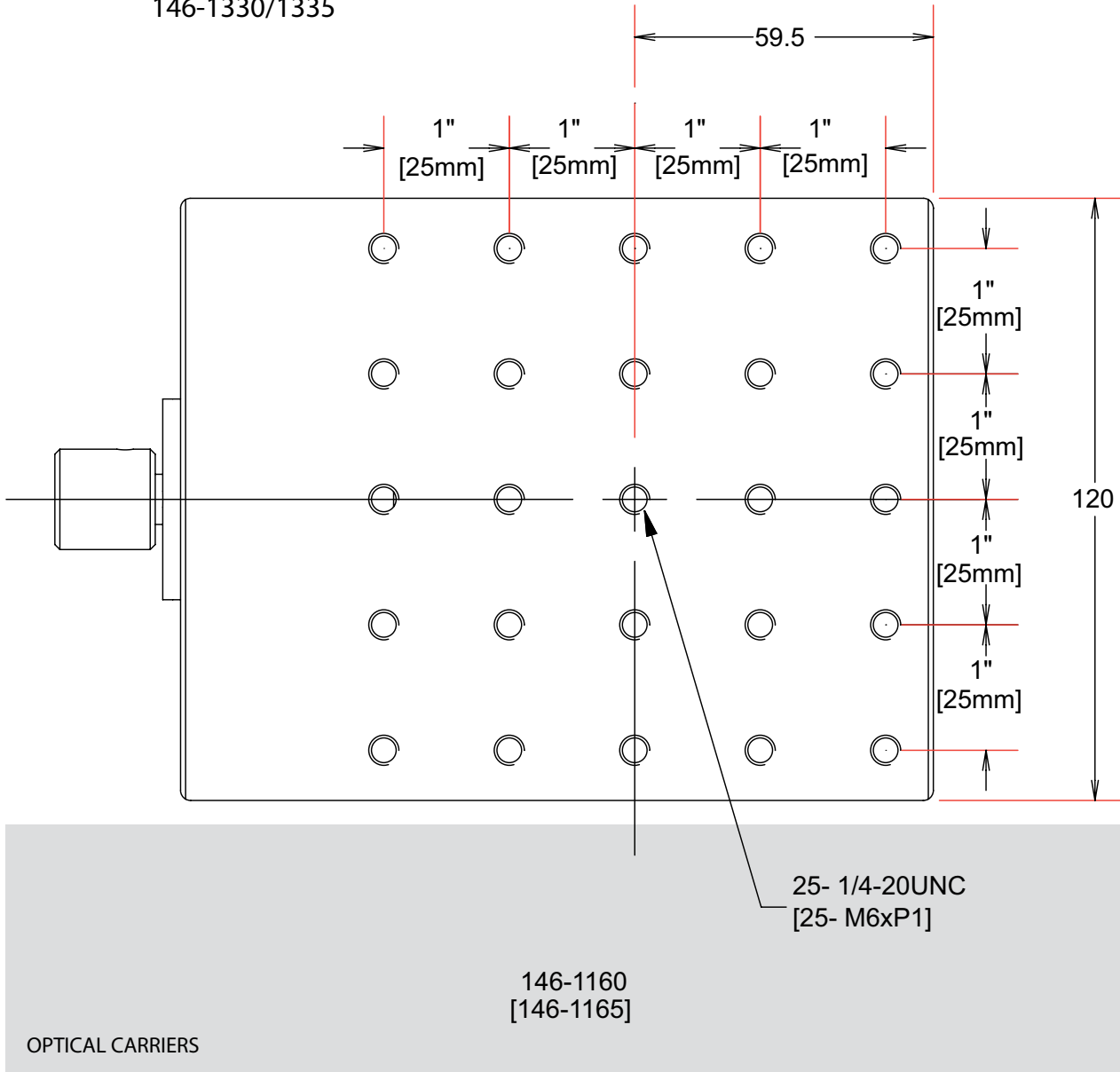
146-1330  
[146-1335]

OPTICAL CARRIERS

ORDERING  
&  
TECHNICAL SUPPORT  
(949) 851-5881  
FAX (949) 851-5058  
E-MAIL  
sales@optosigma.com  
WEB  
www.optosigma.com

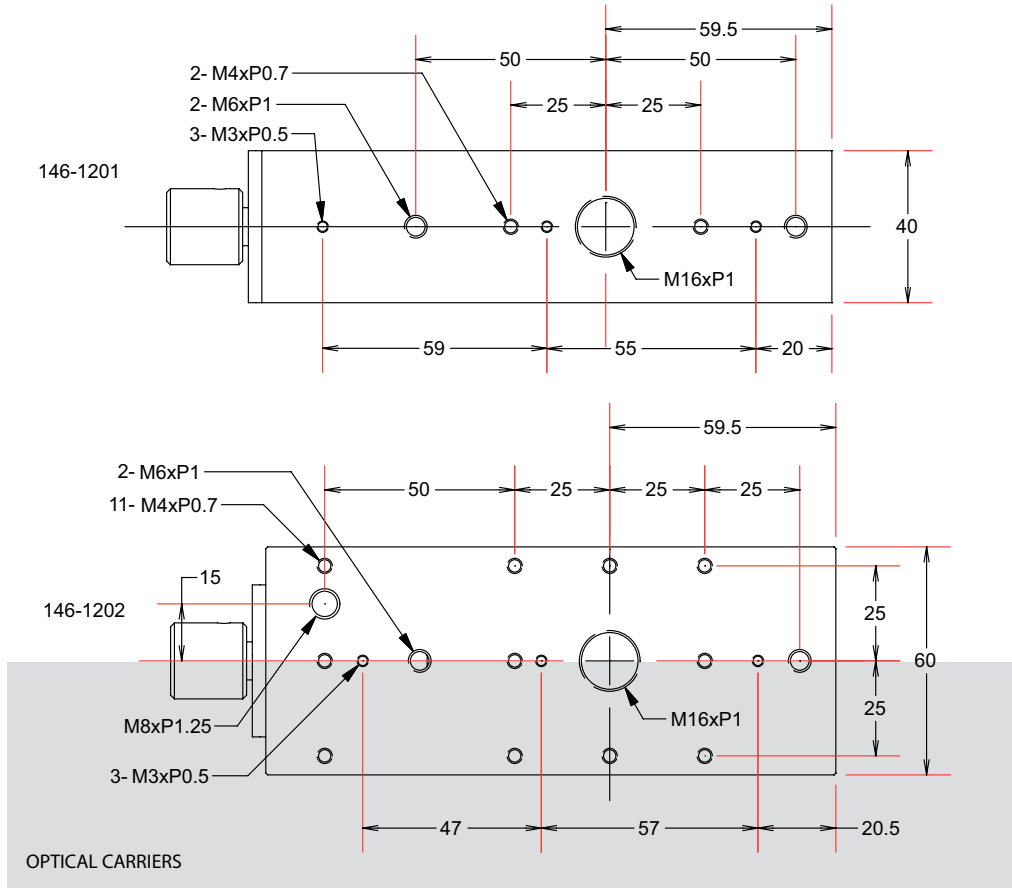


Part No. 146-1110/1115  
146-1330/1335

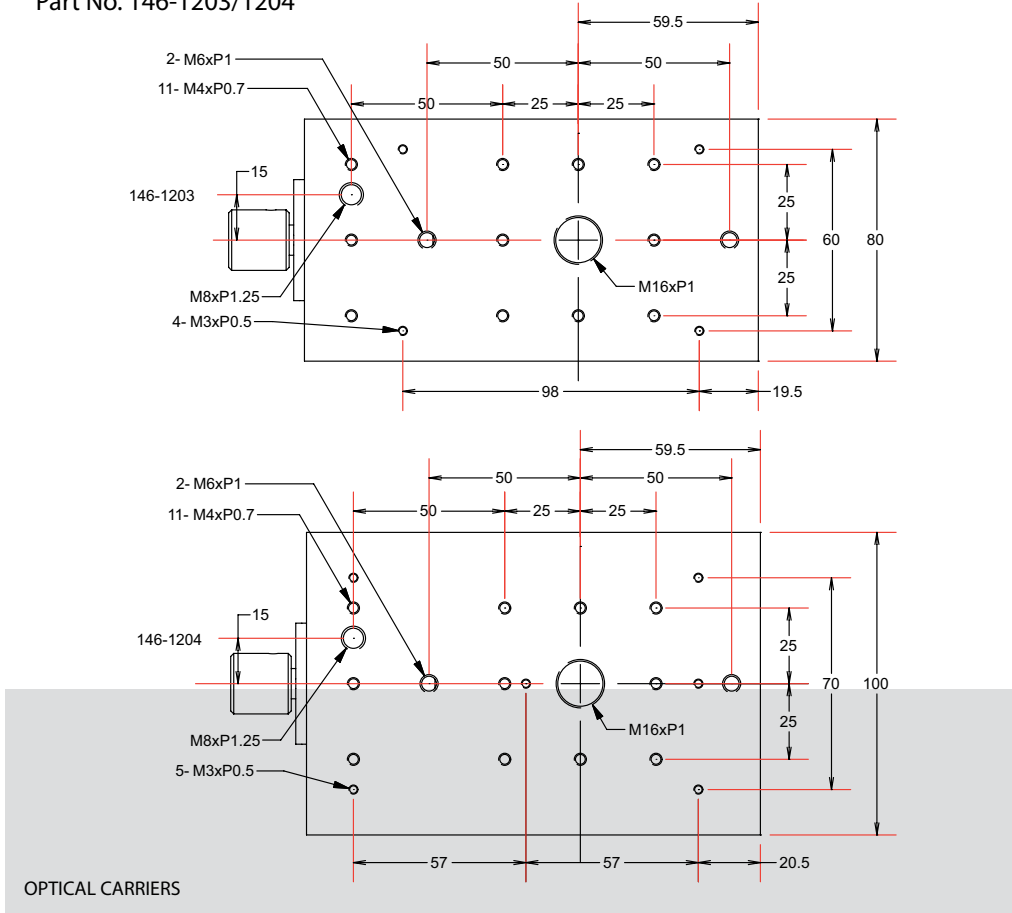


- Mirror Mounts
- Optic Holders
- Optical Baseplates
- Optical Rails and Carriers
- Bases
- Rod Mounting Systems
- Post, Post Holders, Clamps

Part No. 146-1201/1202



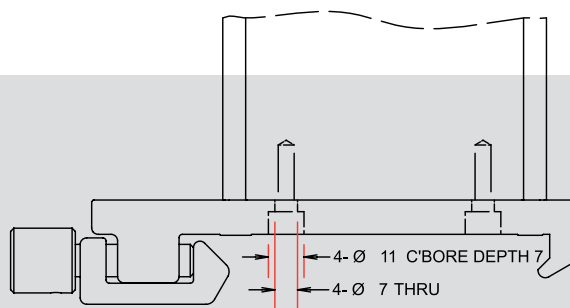
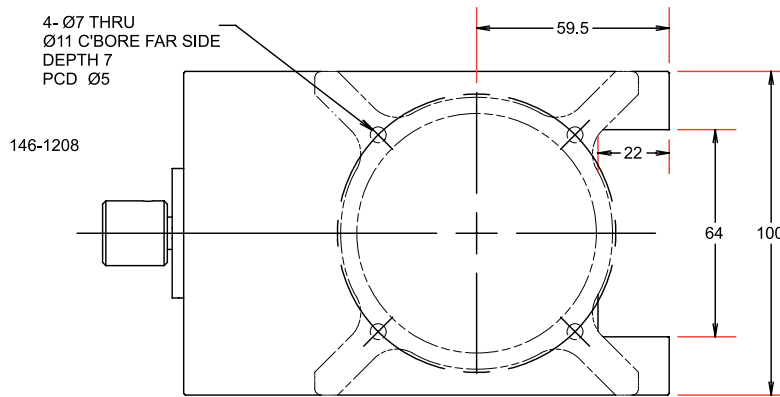
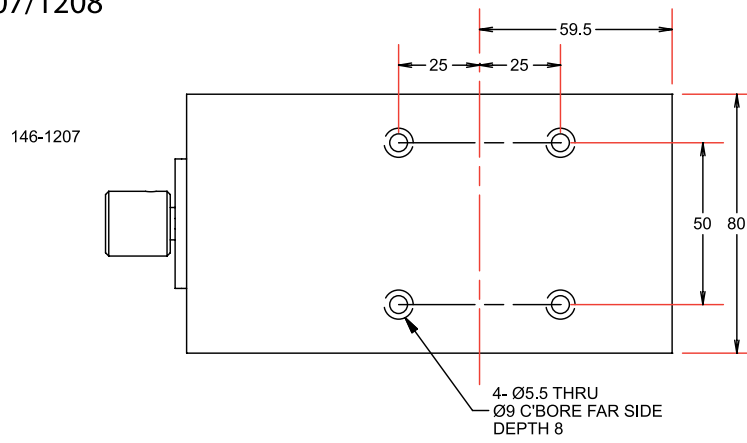
Part No. 146-1203/1204



ORDERING  
&  
TECHNICAL SUPPORT  
(949) 851-5881  
FAX (949) 851-5058  
E-MAIL  
sales@optosigma.com  
WEB  
www.optosigma.com



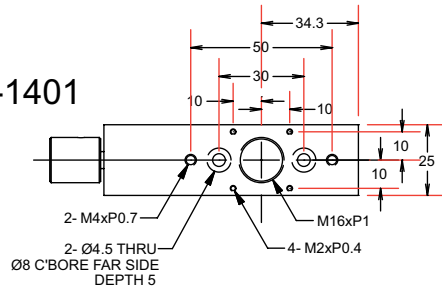
Part No. 146-1207/1208



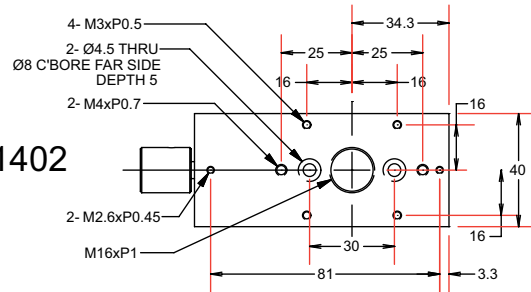
OPTICAL CARRIERS

Part No. 146-1401/1404

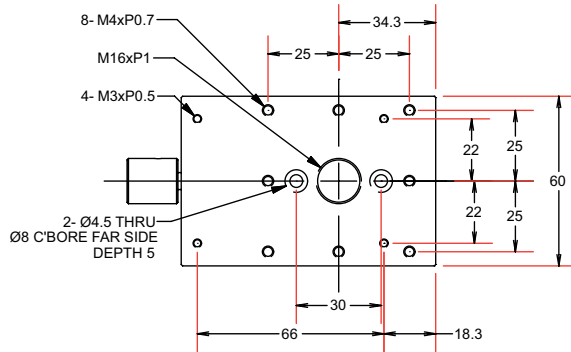
146-1401



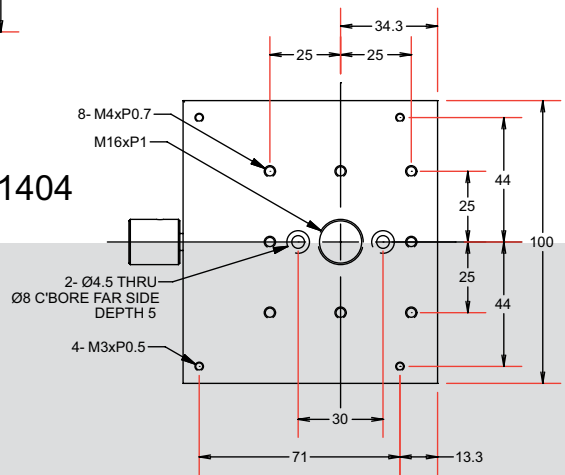
146-1402



146-1403



146-1404



OPTICAL CARRIERS

ORDERING  
&  
TECHNICAL SUPPORT

(949) 851-5881  
 FAX (949) 851-5058

E-MAIL  
 sales@optosigma.com

WEB  
 www.optosigma.com



## Optical Rails

Rail Type	Length, L		Width (mm)	Price	PART NUMBER
	(mm)	(inches)			
Low Profile	300	11.8	50		146-0390
Low Profile	500	19.7	50		146-0440
Low Profile	1000	39.4	50		146-0460
Low Profile	500	19.7	100		146-0160
Low Profile	1000	39.4	100		146-0170
Low Profile	1500	59.1	100		146-0180
Low Profile	2000	78.7	100		146-0190
Square	300	11.8	50		146-0603
Square	500	19.7	50		146-0605
Square	800	31.5	50		146-0608
Square	1000	39.4	50		146-0610
Square	1500	59.1	50		146-0615
Square	2000	78.7	50		146-0620
Square	500	19.7	100		146-0505
Square	1000	39.4	100		146-0510
Square	1500	59.1	100		146-0515
Square	2000	78.7	100		146-0520

Mirror Mounts

Optic Holders

Optical Baseplates

Optical Rails and Carriers

Bases

Rod Mounting Systems

Post, Post Holders, Clamps

## Optical Carriers

INCH

METRIC

For use with rail width (mm)	For use with rail width (mm)	For use with rail width (mm)	Hole Spacing, B (mm)	Price	PART NUMBER
50	25	1/4 - 20	25.4 (1.0 inch)		146-1330
50	65	1/4 - 20	25.4 (1.0 inch)		146-1360
100	40	1/4 - 20	25.4 (1.0 inch)		146-1110
100	65	1/4 - 20	25.4 (1.0 inch)		146-1130
100	120	1/4 - 20	25.4 (1.0 inch)		146-1160
50	25	M6	25		146-1335
50	65	M6	25		146-1365
100	40	M6	25		146-1115
100	65	M6	25		146-1135
100	120	M6	25		146-1165
100	40	M16			146-1201
100	60	M16			146-1202
100	80	M16			146-1203
100	100	M16			146-1204
100	80 (clearance holes to fit 50mm x M4 hole pattern)	N/A			146-1207
100	100 (clearance holes to attach to end of 100mm square rails)	N/A			146-1208
50	25	M16			146-1401
50	40	M16			146-1402
50	60	M16			146-1403
50	100	M16			146-1404

## Optical Carriers Rail Feet

Type	Material	Finish	Price	PART NUMBER
Single Foot	Aluminum	Black anodized		146-0011
Dual Feet	Aluminum	Black paint		146-0012

ORDERING  
&  
TECHNICAL SUPPORT  
(949) 851-5881  
FAX (949) 851-5058  
E-MAIL  
sales@optosigma.com  
WEB  
www.optosigma.com

